

## Specifications

### Performance

Rated Operating Capacity<sup>1</sup>  
 ROC with Optional Counterweight  
 Tipping Load  
 Hydraulic Pump Capacity  
 High Flow Option  
 Travel Speed  
 Operating Weight

### S175

1750 lb. (794 kg)  
 1850 lb. (839 kg)  
 3900 lb. (1769 kg)  
 16.9 GPM (63 L/min.)  
 26.4 GPM (102 L/min.)  
 7.3 MPH (11.3 km/hr.)  
 5808 lb. (2635 kg)

### S185 Turbo

1850 lb. (839 kg)  
 1950 lb. (885 kg)  
 3900 lb. (1769 kg)  
 16.9 GPM (63 L/min.)  
 26.4 GPM (102 L/min.)  
 7.3 MPH (11.3 km/hr.)  
 5808 lb. (2635 kg)

### Dimensions

Length (with bucket)  
 Width (with bucket)  
 Height  
 Height to Bucket Pin

130.3 in. (3309 mm)  
 68.0 in. (1727 mm)  
 76.3 in. (1938 mm)  
 118.2 in. (3002 mm)

### Engine

Make/Model  
 Fuel/Cooling  
 Cylinders  
 SAE NET HP/Displacement  
 Fuel Tank Capacity

Kubota/V2203M-DI  
 Diesel/Liquid  
 4  
 46/134 in.<sup>3</sup> (2.2 L)  
 23 gal. (87.1 L)

### Operation

Steering and Drive  
 Hydraulics  
 Transmission

Forward, reverse, travel speed and steering controlled by two hand levers.  
 Raise/lower lift arms and dump/rollback bucket controlled by two foot pedals or optional hand controls.  
 Hydrostatic, four-wheel drive.

### Standard Features

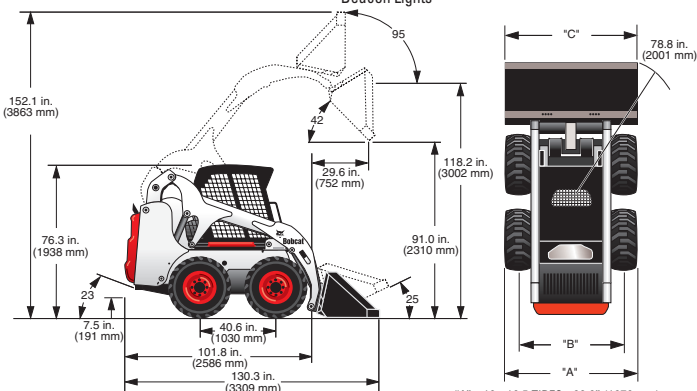
Adjustable Cushion Seat  
 Automatically Activated  
 Glow Plugs  
 Bobcat Interlock Control System (BICS™)  
 Bob-Tach  
 Deluxe Cab  
 Dual Path Cooling System  
 Engine/Hydraulic Shutdown  
 Front Auxiliary Hydraulics  
 Front & Rear Lights

Lift Arm Support  
 Gauges/Warning Lights  
 Operator Cab  
 Parking Brake  
 Seat Bar (available for all Bobcat loaders)  
 Seat Belt  
 Spark Arrestor Muffler (S175 only)  
 10-16.5 Bobcat Standard Duty Tires  
 Turbo-Charger (S185 only) (Approved Spark Arrestor)

### Options/Accessories

Advanced Control System (ACS)  
 Air Conditioning (S185 only)  
 Alarm Package (backup alarm and horn)  
 Attachment Control Kit  
 Bobcat Heavy Duty Tires  
 Heavy Duty Offset  
 Bobcat Poly-Fill Tires  
 Bobcat Severe Duty Tires  
 Bobcat Super Float Tires  
 Cab Enclosure  
 Cab Heater  
 Catalytic Purifier  
 Counterweight  
 Deluxe Instrument Panel  
 Flasher/Strobe/Rotating Beacon Lights

Gold Package Option  
 High Flow Auxiliary Hydraulics Package  
 Hydraulic Bucket Positioning<sup>2</sup>  
 Keyless Start System  
 Power Bob-Tach  
 Radio Kit  
 Rear Auxiliary Hydraulics  
 Service Safety/Training Kit  
 Side Windows  
 Skid-Steer Loader Operator Training Kit  
 Sound Cab  
 Special Applications Kit<sup>3</sup>  
 Suspension Seat (vinyl or cloth cover)



"A" 10 - 16.5 TIRES - 66.0" (1676 mm) or 60.0" (1524 mm)  
 31.5 x 13 - 16.5 TIRES - 66.0" (1676 mm)  
 "B" 10 - 16.5 TIRES - 54.5" (1385 mm) or 48.5" (1232 mm)  
 31.5 x 13 - 16.5 TIRES - 52.3" (1328 mm)  
 "C" 62 in. BUCKET WIDTH - 62.0" (1575 mm)  
 68 in. BUCKET WIDTH - 68.0" (1727 mm)  
 74 in. BUCKET WIDTH - 74.0" (1880 mm)

## Bobcat S175 and S185 skid-steer loaders...greater performance, visibility, comfort and value!

### Greater Performance

Vertical-path lift arms deliver added performance on every jobsite:

- More lift capacity.
- More lift height and reach for truck loading.
- More auxiliary hydraulic flow for better attachment operation.

### Greater Visibility

The low-profile, vertical-path lift arm design and innovative cab enhance the operator's view to key areas during operation: the sides, front and rear corners of the loader.

Even with the optional front door, the S175 and S185 offer good visibility. As any operator will tell you, a better view of the work area means greater efficiency.

### Greater Comfort

The cab is designed with the operator in mind, for optimum comfort and functionality. And with its larger opening and dual-tilt cylinder lift arm design, it's easy to enter and exit.

The seat bar pivots from the rear, providing secondary restraint protection; it's also a comfortable armrest for operators of all sizes. Plus, the worklight design doubles the amount of illumination to the work area for better operation in low-light areas.

### Greater Options

- Factory- or field-installed, easy-to-read deluxe instrument panel.
- High-flow auxiliary hydraulics to operate attachments requiring high hydraulic horsepower, such as planers and stump grinders.
- Full suspension seat for all-day operator comfort.

### Greater Value

Couple these features with proven power, smooth ride and vertical lift path capabilities and you've got skid-steer loaders that deliver top performance, no matter what the job. Get in the seat of a S175 or S185 today for a great view and an even greater value!

### S175

**1750 LB.**  
 Rated Operating Capacity  
**118.2 IN.**  
 Lift Height  
**46 HP**  
 Liquid-Cooled Diesel Engine

### S185 Turbo

**1850 LB.**  
 Rated Operating Capacity  
**118.2 IN.**  
 Lift Height  
**56 HP**  
 Turbo-Charged, Liquid-Cooled Diesel Engine

### Optional Deluxe Instrument Package includes:

- Multi-language capability
- System diagnostic capability
- All gauges read in metric or English units
- Feature lockouts
- Keyless start security
- Digital and job clocks
- Help screens
- Attachment information

NOTE - Where applicable, dimensions are in accordance with Society of Automotive Engineers (SAE) and ISO standards. Specifications and design are subject to change without notice. Pictures of Bobcat loaders may show other than standard equipment. All dimensions are given for loader equipped with standard tires. All dimensions are shown in inches. Respective metric dimensions are enclosed by parentheses. Bobcat Company complies with the requirements of ISO 9001 as registered with BSI.

<sup>1</sup> Operating capacity rated with standard digging bucket according to SAE standard J818 - OPERATING CAPACITY TO EQUAL NO MORE THAN ONE HALF THE TIP LOAD.

<sup>2</sup> Bucket positioning helps operator keep the same tilt of the load during lifting.

<sup>3</sup> Includes Lexan front door, top and rear windows.

<sup>4</sup> Special application kit (see #3) must be used.

## Bobcat Attachments for these models:

- Angle Broom\*
- Auger
- Backhoe
- Box Blade
- Brushcat
- Rotary Cutter
- Buckets
- Chipper\*
- Combination Bucket
- Concrete Mixer\*
- Concrete Pump\*
- Digger
- Dozer Blade\*
- Drop Hammer
- Dumping Hopper
- Ejector Bucket
- Farm Grapple (for use with utility fork or bucket)
- Front Scarifier
- Grader\*
- Hydraulic Breaker<sup>4</sup>
- Hydraulic Pallet Fork
- Industrial Grapple
- Landplane
- Landscape Rake
- Mower
- Packer Wheel
- Pallet Fork
- Planer\*
- Rear Stabilizer
- Root Rake
- Scarifier
- Scraper
- Seeder
- Snow Blade
- Snowblower\*
- Sod Layer\*
- Soil Conditioner\*
- Spreader
- Stump Grinder\*
- Sweeper
- Three-Point Hitch
- Tiller
- Tilt-Tatch
- Tracks
- Tree Spade\*
- Trench Compactor
- Trencher
- Utility Fork
- Vibratory Roller
- Water Kit
- Wheel Saw
- Whisker
- Push Broom

\* Attachment Control Kit Required.

